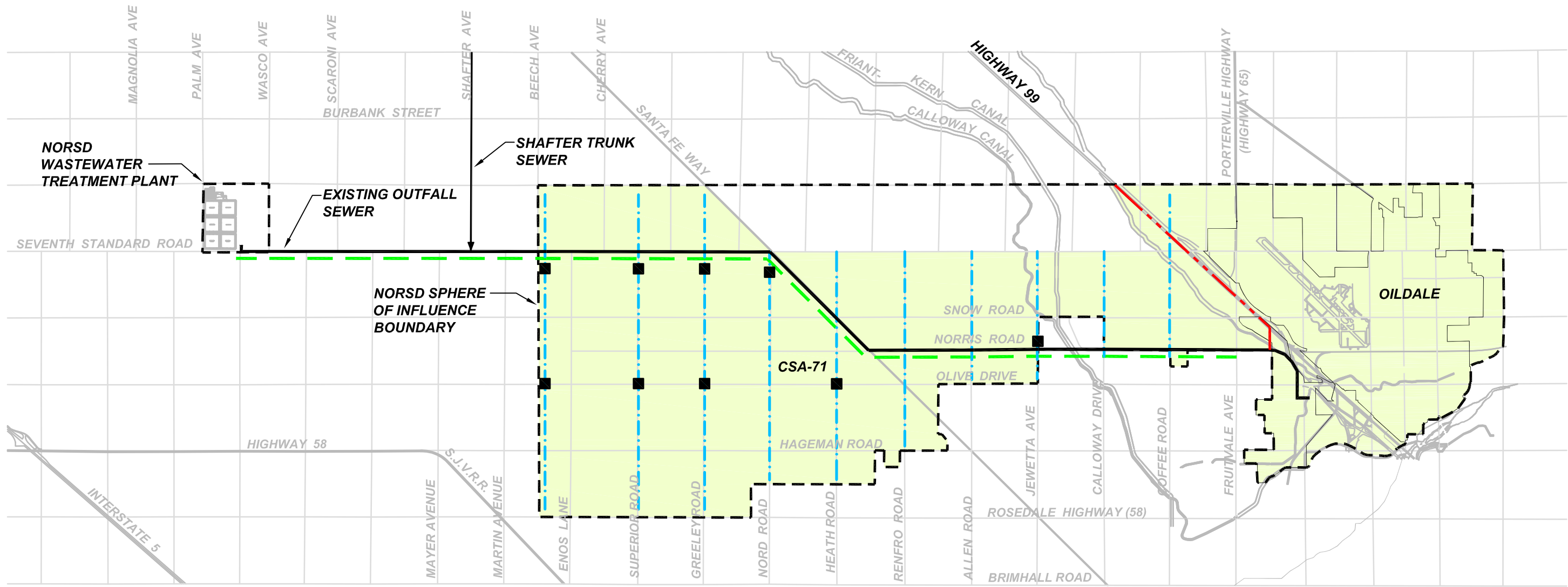
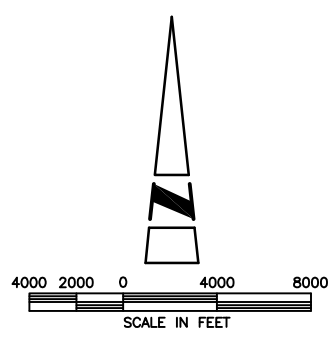


DWG: S:\NORTH\60215271 - Capacity Fee Study 2011 & Sewer Master Plan 2011\CAD\Planets- Revised Jan 2013\01767-FG 6.dwg Layout Name: FIG 6 - Plotted by: Chaharsooi, David Date: 3/7/2013 - 1:28 PM  
 XREFS: IMAGES:



**LEGEND**

- INTERCEPTOR SEWER LIFT STATION
- EXISTING OUTFALL SEWER
- - - PROPOSED PARALLEL TRUNK SEWER
- · - · - PROPOSED INTERCEPTOR SEWER
- - - CSA-71/OILDALE DIVISION LINE
- STUDY AREA



**AECOM**  
 AECOM USA, Inc.  
 5001 East Commercenter Dr. Suite 100  
 Bakersfield, California 93309  
 T 661.325.7253 F 661.395.0359  
 www.aecom.com

NORTH OF RIVER SANITARY DISTRICT NO. 1  
 MASTER SEWER PLAN - REVISED JANUARY 2013

PARALLEL TRUNK SEWER

AECOM  
 PROJECT NO.  
 60215271

FIGURE  
 6